

Interchange Unit Type 5000

(Code: G305)

For Machine Code: G071

INSTALLATION GUIDE

Preparation

For a safe operation, read "*Safety Information*" in Maintenance Guide 1.

Install the Interchange Unit before installing the Duplex Unit, 500-sheet Finisher or 4-bin Mailbox.

CAUTION:

- The inside of the machine becomes very hot. Do not touch the parts with a label indicating "▲" (means hot surface). Touching "▲" (means hot surface) could result in a burn.

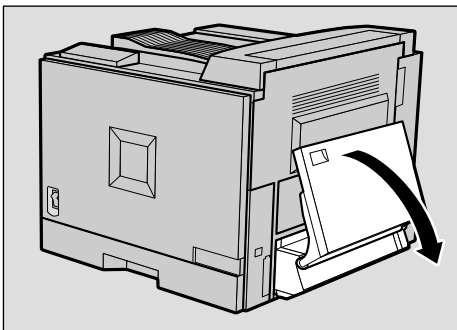
Important

- Check the printer nameplate to confirm the model code.

1 Turn off the power switch, and then unplug the power cable.

2 Remove the adhesive tapes.

3 Open the Bypass Tray.

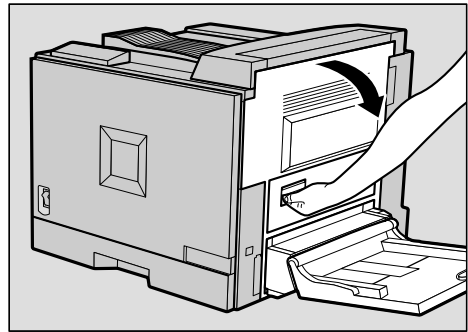


ZESP253J

Note

- Remove paper on the Bypass Tray to prevent them from falling.

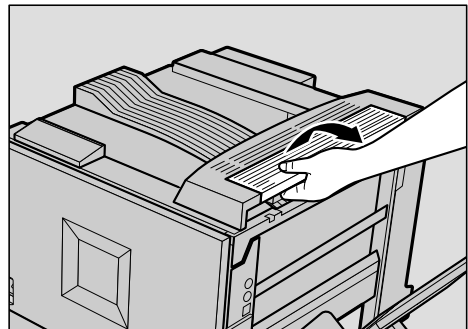
4 Open the right cover of the printer by pushing up the handle.



ZESP155J

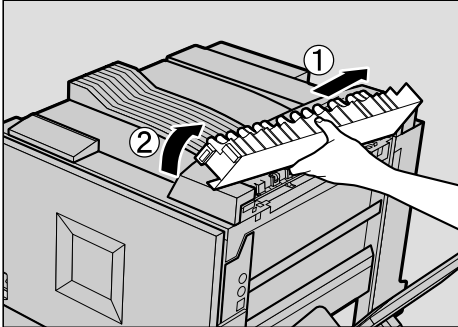
5 Stand on the right of the printer, and then remove the upper right cover of the printer.

1 Open the upper right cover.



ZESP156J

- 2** Press the cover to the right (①), and then lift the left edge (②) to remove it from the printer.



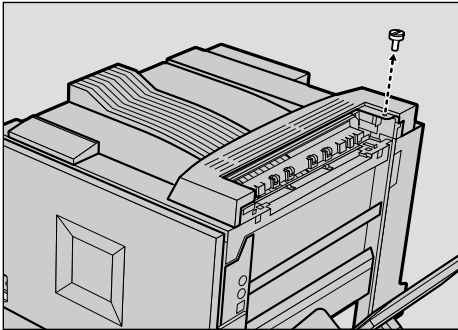
ZESP254J

Note

- The removed cover will not be used.

- 6** Stand on the right of the printer, and then remove the remaining of the upper right cover.

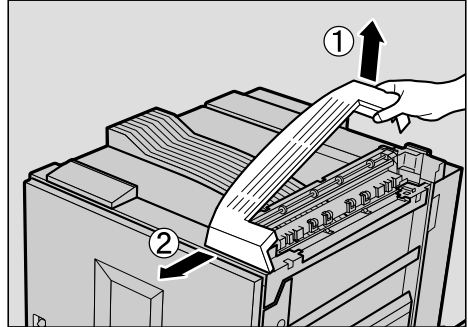
- 1** Remove the screw that is fastening the upper right cover.



Note

- The removed screw will not be used.

- 2** Lift the right edge (①), and then push to the left (②) to remove it.

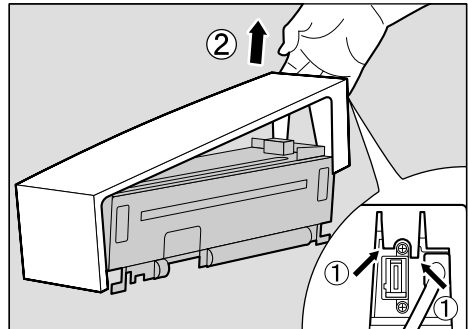


ZESP255J

Note

- The removed cover will not be used.

- 7** Remove the top cover of the Interchange Unit. First, pull up the stopper (①), and then lift the cover (②).



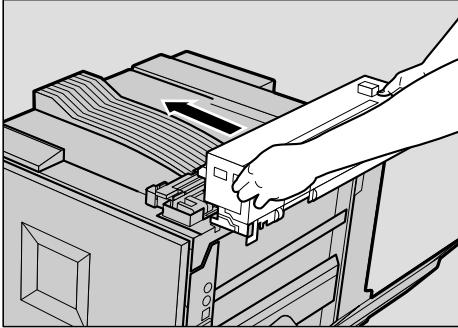
ZESP901J

Note

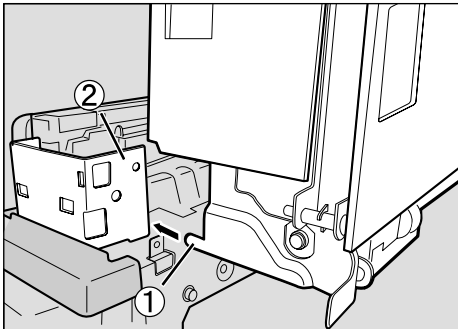
- You need the removed cover in step 10.

- 8** Stand on the right of the printer, and then install the Interchange Unit.

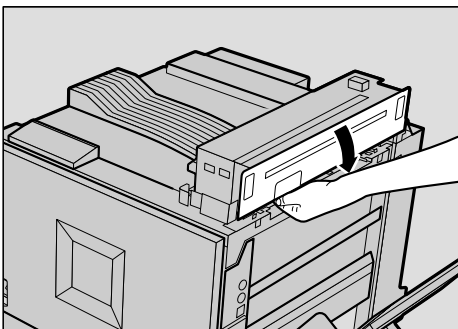
- 1 Hold the Interchange Unit with both hands, and then insert it by sliding it onto the printer as shown in the illustration.



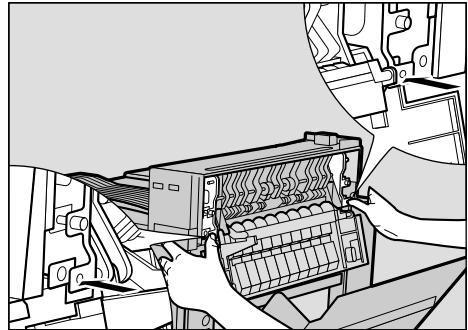
Slide with the metal part (1) of the Interchange Unit touching the metal part (2) of the printer.



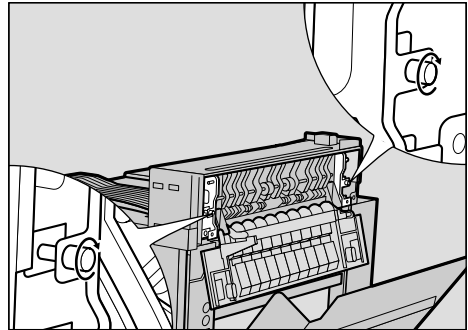
- 2 Open the right cover of the Interchange Unit.



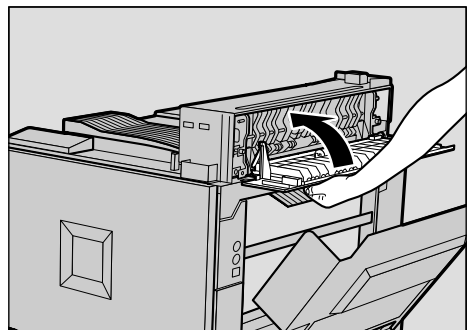
- 3 Press the two projections on the Interchange Unit so that they securely fit into the holes of the printer.



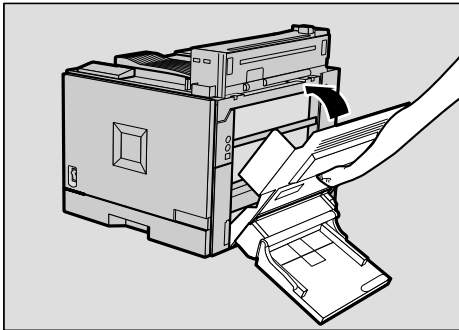
- 4 Fasten the two screws on the Interchange Unit until they are tight.



- 5 Close the right cover of the Interchange Unit.



- 9** Close the right cover of the printer.



ZESP179J

Note

- Press "PUSH" to close the cover firmly.

- 10** Set the top cover of the Interchange Unit that you removed in step **7**. First, put it on the front side of the printer (①), and then push the other end until it clicks into its place (②).

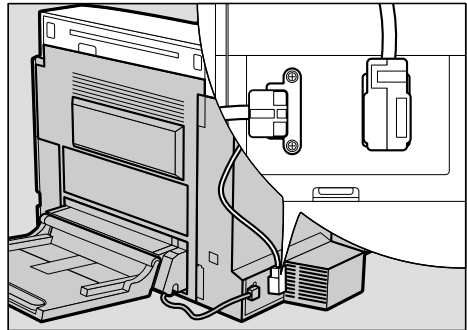


ZESP904J

Note

- You do not have to set the top cover of the Interchange Unit at this point if you install the 500-sheet Finisher or the 4-bin Mailbox. Go to step **11**.

- 11** Connect the Interchange Unit cable to the back of the printer.



ZESP257J

- 12** Close the Bypass Tray.

Note

- After finishing installation, you can check whether the Interchange Unit is installed properly. Print the configuration page from the "List/Test Print" menu. If it is installed properly, you will see "Interchange Unit" under the "Options" list.
- If the Interchange Unit is not installed properly, reinstall from step **1**. If you cannot install it properly even after reinstallation, contact your sales or service representative.

Reference

See "Using the Control Panel" in the Administrator Reference for printing the configuration page.